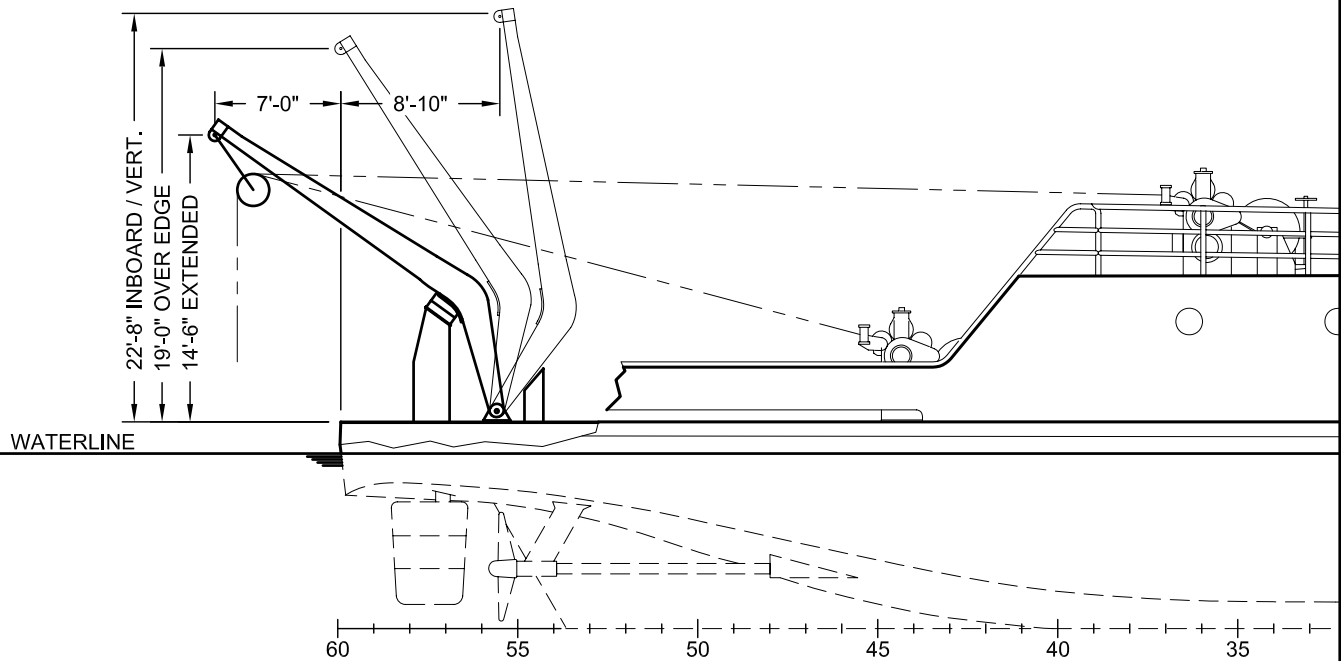
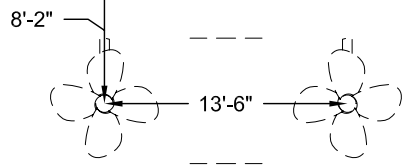


SECTION VIEW
VERTICAL A-FRAME POSITION



PROFILE VIEW
INBOARD/OUTBOARD REACH



Safe Working Loads for any operation will be governed by the particular winch/wire combination in use. Refer to guidelines set forth in UNOLS Research Vessel Safety Standards.

2/26/09

R/V ROBERT GORDON SPROUL A-FRAME

THE GLOSTEN ASSOCIATES
Consulting Engineers Serving the Marine Community

1201 Western Avenue, Suite 200
Seattle, Washington 98101-2921
TEL 206.624.7850
FAX 206.682.9117
WEB www.glosten.com