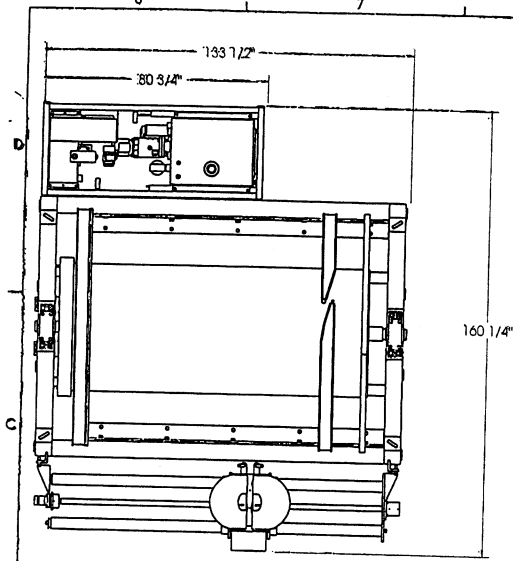
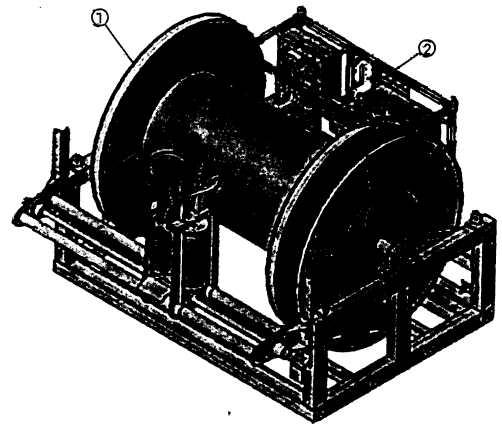


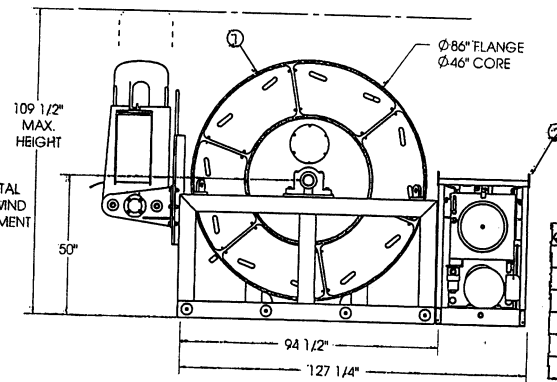
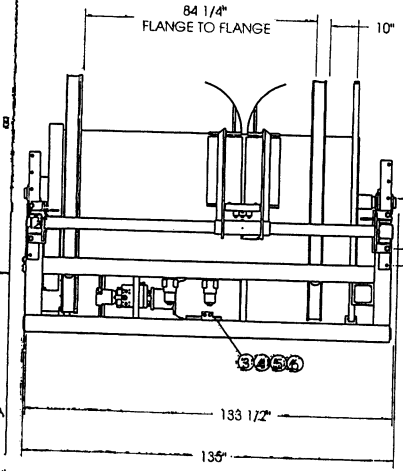
8 7 6 5 4 3 2 1



WARNING: REMOVE HYDRAULIC POWER UNIT (ITEM 2) FROM THE WINCH (ITEM 1) PRIOR TO LIFTING.



ISOMETRIC VIEW



QTY.	PART NO.	DESCRIPTION	MATERIAL	ITEM NO.
1	0843-1001-01	MOOS MOORING WINCH GENERAL ASSEMBLY		1
1	0843-8001-01	50 HP ELECTRO-HYDRAULIC POWER UNIT GENERAL ASSEMBLY		2
4	HNH7.2-18.2L6	HEX HEAD BOLT 1/2-18 UNC x 2 1/2	S.S. 18-8	3
8	FW3.2	FLAT WASHER 1/2"	S.S. 18-8	4
4	LWHS1.2	LOCK WASHER HELICAL SPRING 1/2"	S.S. 18-8	5
4	HNH7.2-18	HEX NUT 1/2-18 UNC	S.S. 18-8	6

UNLESS OTHERWISE SPECIFIED DIMENSIONS ARE IN INCHES TOLERANCES ARE:		FORMWORK NO. 0843	<b>D</b> DYNACON, INC. 2000 W. 10TH AVE. DENVER, CO 80202
TRACTOR MOUNTING JAWES 2 7/16 JUL 2.02 2 1/2" 300.2.508 REMOVE SHARP EDGES AND BURRS		APPROVED DATE	
3	SEE PARTS LIST	PRC 31DEC03	MOOS MOORING WINCH SYSTEM GENERAL ASSEMBLY SEE DWG. NO. 0843-0000-01
NEXT ASSY	QUANTITY	JRK 12JAN04	
APPLICATION	DO NOT SCALE DIMENSIONS	JRK 12JAN04	
		JRJ 12JAN04	

8 7 6 5 4 3 2 1